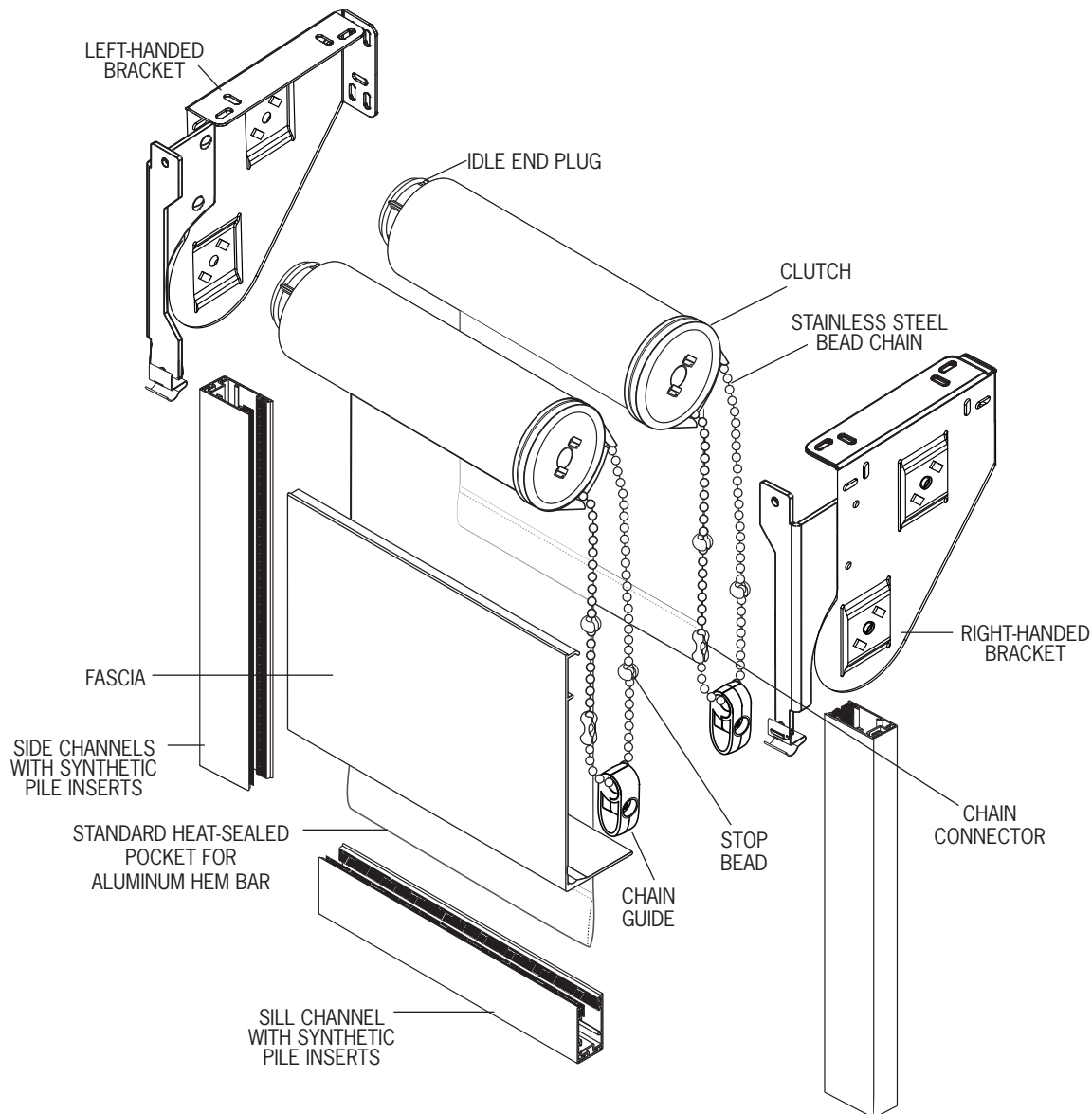


# DATA SHEET DUAL MANUAL SHADE WITH BLACKOUT



- Allows for two shades to be installed onto one bracket.
- Clutch mechanism is fiberglass filled nylon construction for long lasting durability with Velvetrol™ internal spring arrangement for smoother operation.
- Available with SL10, SL15, and SL20 clutch systems with 1.5", 2" or 2.5" tubes
- Optional spring assist reduces pull force allowing easy lifting of larger shades.
- Spring loaded idle end.
- Brackets are stamped steel and corrosion resistant. Available in powder coated white, vanilla, gray, and black.
- Front and back shade can have left or right controls.
- Each shade is raised and lowered by its own #10 stainless steel bead chain and clutch system.
- Plastic bead chains are also available—colors include white, vanilla, gray, brown, and black.
- Hem bar is extruded aluminum and completely enclosed in a heat-sealed hem pocket.
- Fascia measures 7.5" high with a 2.25" bottom lip and snaps onto fascia bracket with a positive spring fit. Available in white, vanilla, clear satin anodized, bronze satin anodized, or black.
- Blackout channels are two-piece extruded aluminum with snap-fit design and synthetic pile inserts to eliminate light gaps. Side channel is 1" by 2" and eliminates light gaps along edge of shades. Sill channel is 1" by 2" and eliminates light gaps along the bottom of shades.
- Limited Lifetime Warranty.