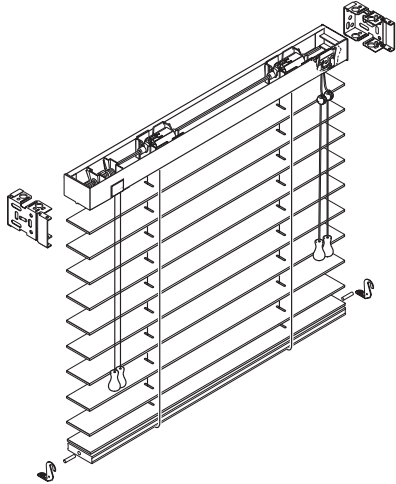


DATA SHEET

GRABER® LAKE FOREST® 2" FAUX WOOD BLINDS

Product Features



- Flat PVC slats meet NFPA 701
- SureClose™ headrail system
- Cord tilt standard
- Wand tilt option
- Braided ladder standard
- NoHoles™ privacy option
- 2½" slat option
- Fabric tape option
- Cordless
- Five year warranty

Product Specifications

SureClose™ Headrail shall be 1⅝" high x 2¼" wide x .022" thick U-shaped, extruded steel with ⅛" light-blocking lip on the bottom center line. The steel finishing process includes phosphate treatment for corrosion resistance, a chrome-free sealer, a low HAP urethane primer and a topcoat with low HAP, polyester-baked enamel.

Valance Choices include Classic and Majestic.

Cord Tilter shall be a snap-in component incorporating a worm and pulley of low-friction thermoplastic and nylon gear. Tilt cords shall be secured to pulley and treated with tassels at tilt end.

Tilt rod shall be electro-zinc coated solid steel measuring ¼" square.

Cord lock shall be metal of a snap-in design incorporating a floating, shaft-type locking pin and shall incorporate a crash-proof safety feature that will lock blind automatically upon release of cord.

Cradles shall be made of low-friction polypropylene with metal lift cord rollers.

Drums shall be made of high strength thermoplastic, which securely anchors braided ladder.

Braided ladder shall be made of 100% polyester yarn, incorporating two extra strength rungs per ladder for slat support. Standard ladder spacing shall be 44mm.

Installation brackets shall be a universal style with hinged front cover phosphate-treated steel with urethane primer and polyester-baked enamel finish to match headrail.

Slats shall be rigid, UV-stabilized, flat PVC nominally 2" wide x .10" thick with straight cut edges. Slats meet the requirement of NFPA 701 Test Method 1-2004 edition.

Bottomrail shall be extruded foam PVC 9/16" high x 2" and shall coordinate with slats. 2" and 2½" Faux Wood blinds have a flat bottomrail.

Cordless lift option uses 2" x 2 ¼" steel headrail with wand tilt only. Available on 2" and 2½" slats only.

Options:

- 2½" slat
- NoHoles™ privacy slat
- Fabric tapes 1½" or 1"
- Wand tilt (2" only)
- Ring pull
- Ring tilt (2" only)
- Extension brackets
- Hold-down brackets
- Cut-outs